

mini FALCON

WIRING / OPERATION

4-Wire Cable



RED: To +VDC (Fuse @ 4A) for Warning Mode

BLACK: To Chassis Ground (-)

WHITE: For Low Power

Apply +VDC to **WHITE** wire to activate low power while warning mode is active.

YELLOW: Flash Patterns & Synchronization

For Flash Pattern selection, momentarily apply +VDC to **YELLOW** wire.

- once to the next pattern.
- quick 3 times to FP# 1.

Connect **YELLOW** wires of all units together for synchronization; all units should be set to the same flash pattern.

2-Button Cigar Plug



ON/OFF button:
Turn ON for Warning Mode.

Flash Pattern button:
Momentarily press the button

- once to the next pattern
- quick 3 times to FP# 1

FLASH PATTERNS

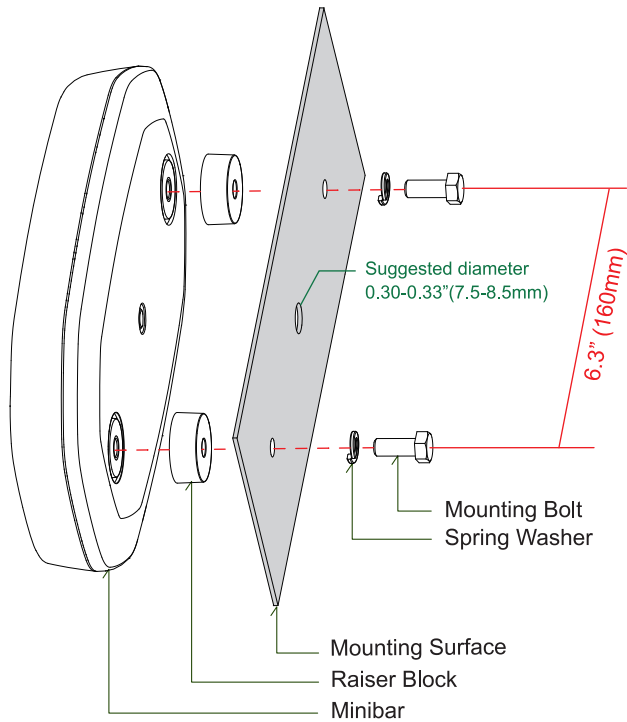
FP#	Flash Patterns	FP#	Flash Patterns	FP#	Flash Patterns
1	Double [R65]*	11	Quint [SAE]	21	Triple (Split)
2	Single [2Hz]	12	Mega	22	Quad (Split)
3	Triple [2Hz]	13	Giga	23	Quint (Split)
4	Quad [2Hz]	14	Ultra [SAE]	24	Mega (Split)
5	Random	15	Single-Quad	25	Giga (Split)
6	Steady / Cruise	16	Single H/L	26	Ultra (Split)
7	Single	17	Single-Triple-Quint	27	Single-Quad (Split)
8	Double [SAE]	18	Half-Steady-Half-Double (Split)	28	Single H/L (Split)
9	Triple [SAE]	19	Single (Split)	29	Single-Triple-Quint (Split)
10	Quad [SAE]	20	Double (Split)		

(Split) = Left-half alternating Right-half.

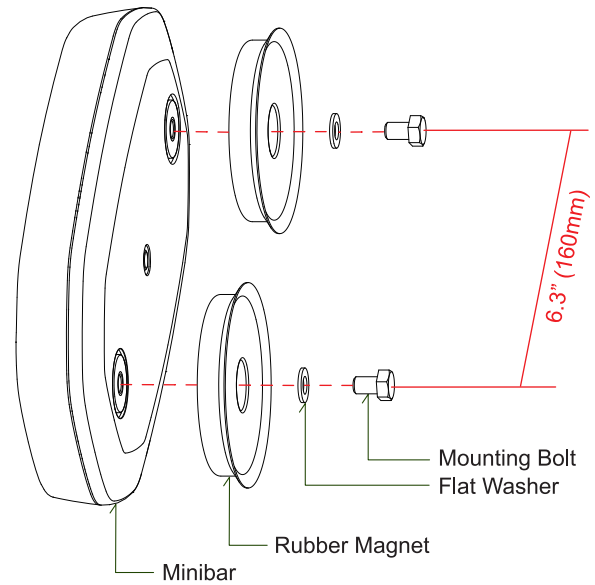
*Actual approval will be based on the model purchased.

INSTALLATION (Actual Mounting Kit varies between Models)

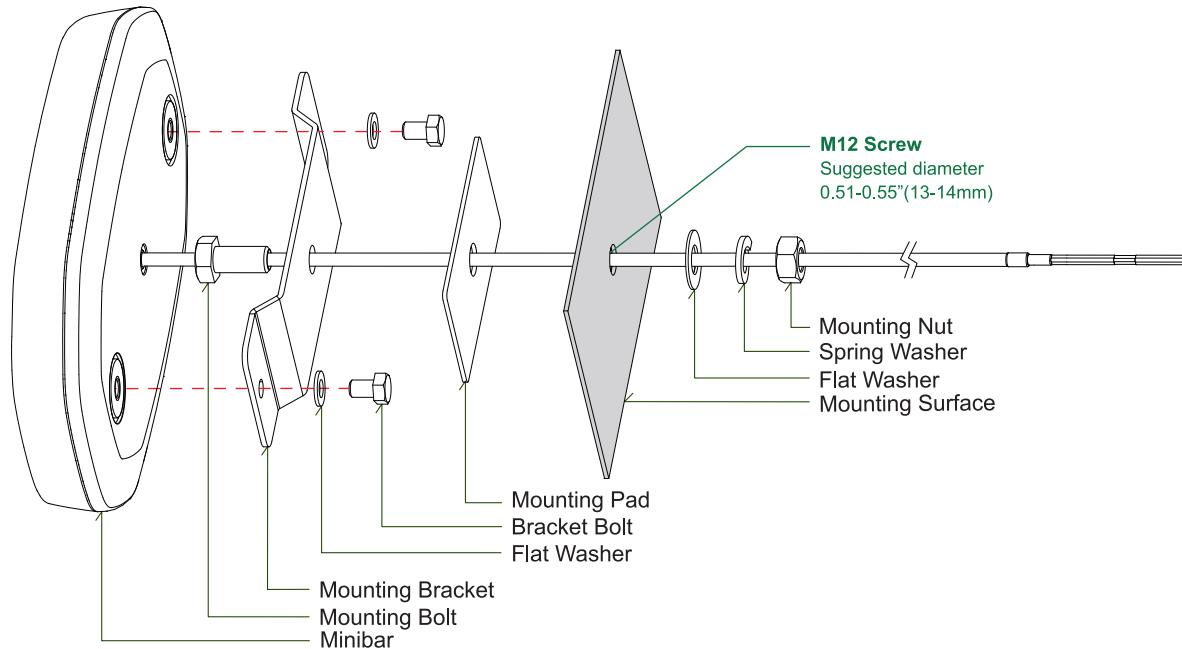
2-Bolt Mount



Rubber Magnet Mount



1-Bolt Mount



WARNING:

1. Do not look directly into LEDs while in operation; may cause momentary blindness and/or eye damage.
2. The use of any magnetically mounted warning device on the outside of a vehicle in motion is not recommended and is at the sole risk and responsibility of the user.